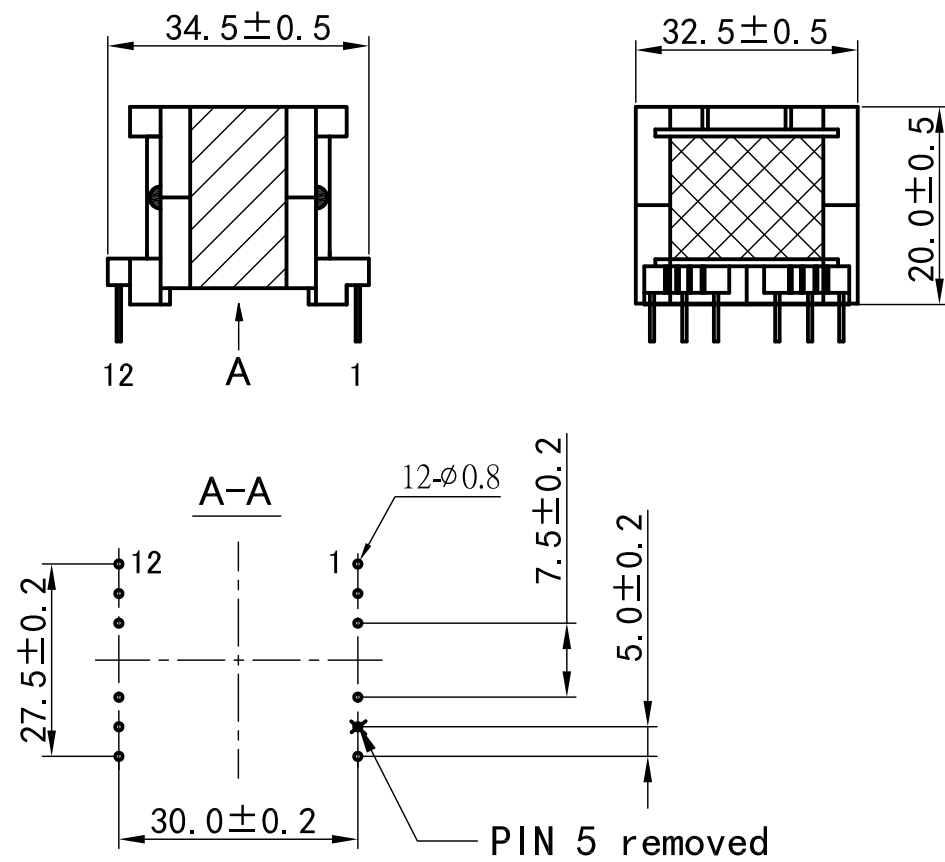


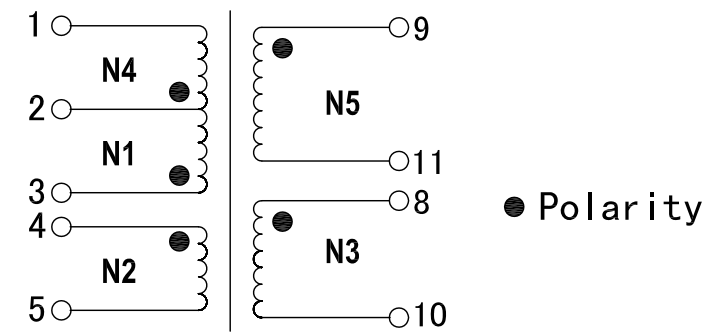
1. Mechanical Dimensions (mm) :



Notes:

- 1). The core halves shall be glued together, and the core shall be glued to the bottom side of the bobbin
- 2). Insulation system: Class B 130°C
- 3). Storage temperature: -10°C to 40°C
- 4). Operating temperature: -40°C to 125°C
- 5). Electrical and mechanical specifications 100% tested
- 6). RoHS compliant compatible

2. Schematic:



Item	Wire	Pin(S)	Pin(F)	Turns	Tapes	Method
N1	2UEW 0.36mm*2P	3	2	REF	1	Tight
N2	2UEW 0.36mm*3P	4	5	REF	1	Evenly
N3	TEX-E 0.45mm*3P	8	10	REF	1	Tight
N4	2UEW 0.36mm*2P	2	1	REF	1	Tight
N5	TEX-E 0.45mm*3P	9	11	REF	3	Tight

3. Electrical Specifications: @25°C

- 1). 0CL: Pins 3-1 378uH ± 10% @ 10kHz, 0.1V
- 2). 0CLk: Pins 3-1 2uH max @ 100kHz, 0.1V
- 3). Hipot: N1+N2+N4 to N3+N5 3.0kVac 60Hz 1Second
3mA Max, no flashover

PROPRIETARY

				Title: High Frequency Transformer	
				CUSTOMER P/N.	AITC-510
				P/N.	TF-PQ322000-002R
A1	Design	2017-08-09	Musk Yi	 THIRD ANGLE PROJECTION	
REV	DESCRIPTION	DATE	APPROVED		