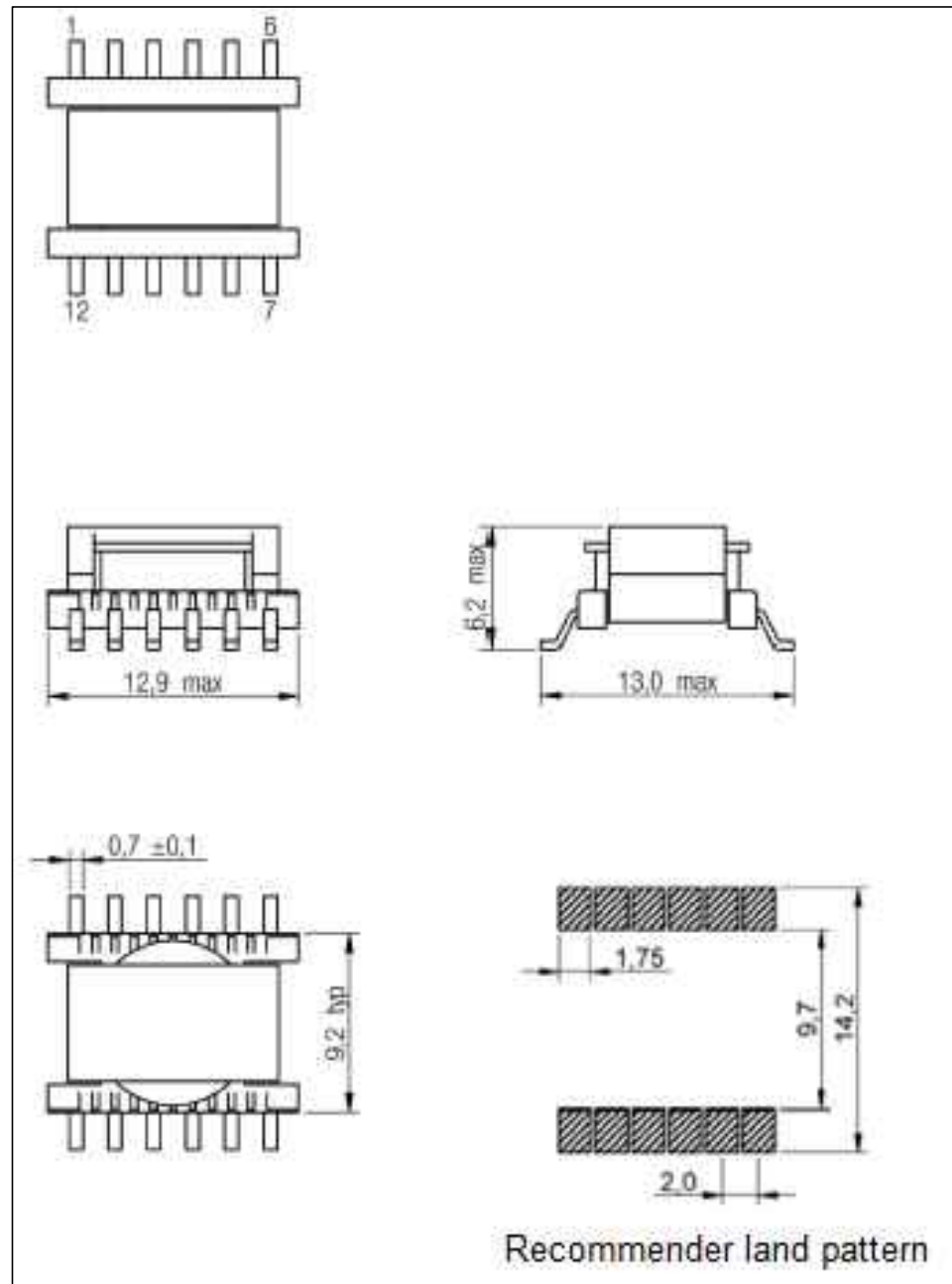


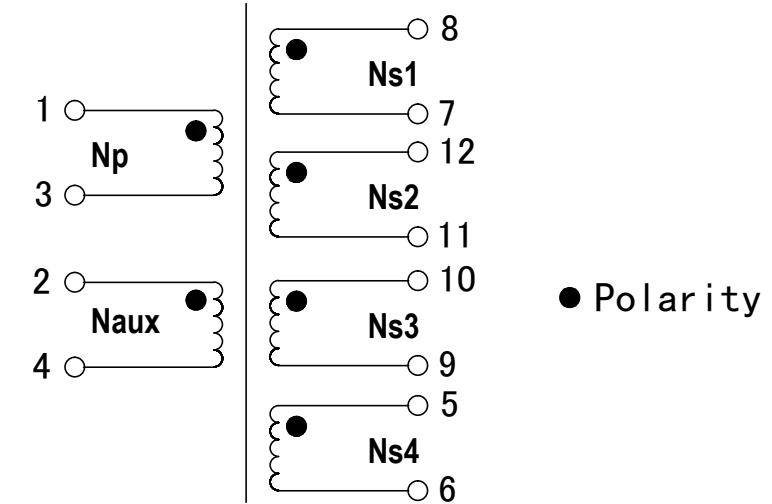
1. Mechanical Dimensions (mm) :



Notes:

- 1). Product should be impregnated
- 2). Put white dot on pin 1
- 3). Insulation system: Class B 130°C
- 4). Storage temperature: -40°C to 85°C
- 5). Operating temperature: -40°C to 125°C
- 6). Electrical and mechanical specifications 100% tested
- 7). RoHS compliant compatible

2. Schematic:



Item	Wire	Pin(S)	Pin(F)	Turns	Tape	Method
Np	Litz/180 φ0.10mm*6P	1	3	ref	2	Evenly
Naux		2	4			
Ns1		8	7			
Ns2		12	11			
Ns3		10	9			
Ns4		5	6			

3. Electrical Specifications: @25°C

- 1). OCL: L(1-3) = 47μH ± 10% @ 100kHz, 0.1V
- 2). Turns ratio Np:Naux:Ns1:Ns2:Ns3:Ns4 = 1:1:1:1:1:1 ± 2%
- 3). Hipot: WDG to WDG 0.2kVac 50Hz 5Seconds
2mA Max, no flashover

				Title: High Frequency Transformer	
				CUSTOMER P/N.	
				OUR P/N. TF-ER110500-001R	
A1	Design	2018-05-31	Musk Yi	 THIRD ANGLE PROJECTION	
REV	DESCRIPTION	DATE	APPROVED		

PROPRIETARY