

CONDUCTIVE POLYMER HYBRID ALUMINUM ELECTROLYTIC CAPACITORS

Upgrade
YC Chip type, Standard Series

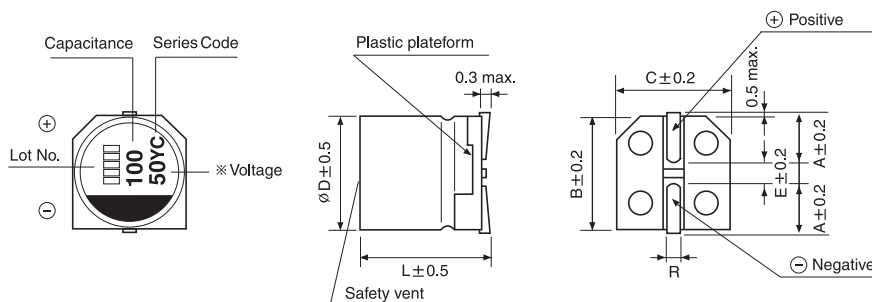


- Endurance with ripple current: 10000 hours at 105°C
- Complied to the RoHS directive

Item	Characteristics												
Operating temperature range	-55 ~ +105°C												
Leakage current max.	$I = 0.01CV$ or $3\mu A$ whichever is greater (after 2 minutes)												
Capacitance tolerance	$\pm 20\%$ at 120Hz, 20°C												
Dissipation factor max. (at 120Hz, 20°C)	<table border="1"> <tr> <td>WV</td> <td>16</td> <td>25</td> <td>35</td> <td>50</td> <td>63 ~ 100</td> </tr> <tr> <td>tanδ</td> <td>0.16</td> <td>0.14</td> <td>0.12</td> <td>0.10</td> <td>0.08</td> </tr> </table>	WV	16	25	35	50	63 ~ 100	tan δ	0.16	0.14	0.12	0.10	0.08
WV	16	25	35	50	63 ~ 100								
tan δ	0.16	0.14	0.12	0.10	0.08								
Low temperature characteristics (Impedance ratio at 100kHz)	$Z(-25^\circ C) / Z(+20^\circ C) \leq 1.5$ $Z(-55^\circ C) / Z(+20^\circ C) \leq 2.0$												
Load life	<p>After an application of DC bias voltage plus the rated AC ripple current for 10000 hours at 105°C. The measurement shall meet the following limits. The DC voltage plus the peak AC voltage combined must not exceed the rated voltage.</p> <table border="1"> <tr> <td>Capacitance change</td> <td>Within $\pm 30\%$ of initial value</td> </tr> <tr> <td>tanδ</td> <td>Less than 200% of the specified value</td> </tr> <tr> <td>ESR</td> <td>Less than 200% of the specified value</td> </tr> <tr> <td>Leakage current</td> <td>Less than specified value</td> </tr> </table>	Capacitance change	Within $\pm 30\%$ of initial value	tan δ	Less than 200% of the specified value	ESR	Less than 200% of the specified value	Leakage current	Less than specified value				
Capacitance change	Within $\pm 30\%$ of initial value												
tan δ	Less than 200% of the specified value												
ESR	Less than 200% of the specified value												
Leakage current	Less than specified value												
Shelf life (at 105°C)	After 1000 hours no load test, leakage current, capacitance and tan δ are same as load life value. The measurement shall be performed at 20°C by the KS C IEC 60384 - 4												
Resistance to soldering heat	<p>The following specifications shall be satisfied when the capacitors are restored to 20°C after exposing them at 250°C for 10 seconds.</p> <table border="1"> <tr> <td>Leakage current</td> <td>Less than specified value</td> </tr> <tr> <td>Capacitance change</td> <td>Within $\pm 10\%$ of initial value</td> </tr> <tr> <td>tanδ</td> <td>Less than specified value</td> </tr> </table>	Leakage current	Less than specified value	Capacitance change	Within $\pm 10\%$ of initial value	tan δ	Less than specified value						
Leakage current	Less than specified value												
Capacitance change	Within $\pm 10\%$ of initial value												
tan δ	Less than specified value												

DRAWING

Unit : mm



$\phi D \times L$	A	B	C	E	R
6.3×7.7	2.4	6.6	6.6	2.2	0.5~0.8
8×10	2.9	8.3	8.3	3.1	0.8~1.1
10×10	3.2	10.3	10.3	4.5	0.8~1.1
10×12.5	3.2	10.3	10.3	4.5	0.8~1.1

YC series

● DIMENSIONS & MAXIMUM PERMISSIBLE RIPPLE CURRENT

μF \diagdown WV	16			25			35		
47							6.3×7.7	35	2000
68				6.3×7.7	30	2000	6.3×7.7	35	2000
100				6.3×7.7	30	2000	8×10	27	2300
150	6.3×7.7	27	2200	8×10	27	2300	8×10	27	2300
							10×10	20	2500
220				8×10	27	2300			
270	8×10	22	2500	10×10	20	2500	10×10	20	2500
330				10×10	20	2500	10×12.5	17	2800
470	10×10	18	2600	10×12.5	16	2800			
560	10×12.5	14	3000						

μF \diagdown WV	50			63			80		
10				6.3×7.7	80	1500			
15	6.3×7.7	40	1600						
22				6.3×7.7	80	1500	8×10	45	1600
				8×10	40	1600			
33	6.3×7.7	40	1600	8×10	40	1600			
	8×10	30	1800	10×10	30	1800			
39							10×10	35	1700
47	8×10	30	1800				10×12.5	32	1800
56	10×10	25	2000	10×10	30	1800			
68	10×10	25	2000	10×12.5	22	2100			
100	10×10	25	2000						
150	10×12.5	19	2300						

μF \diagdown WV	100		
10	8×10	60	1450
15	10×10	45	1500
18	10×12.5	40	1580

Ripple current (mA rms) at 105°C, 100kHz
 ESR (mΩ) at 20°C, 100kHz
 Case size $\varnothing D \times L$ (mm)

● FREQUENCY COEFFICIENT OF PERMISSIBLE RIPPLE CURRENT

Frequency	120Hz	1kHz	10kHz	100kHz
Coefficient	0.05	0.30	0.70	1.00