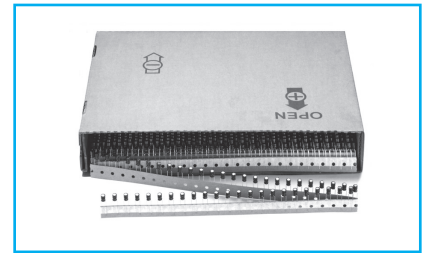
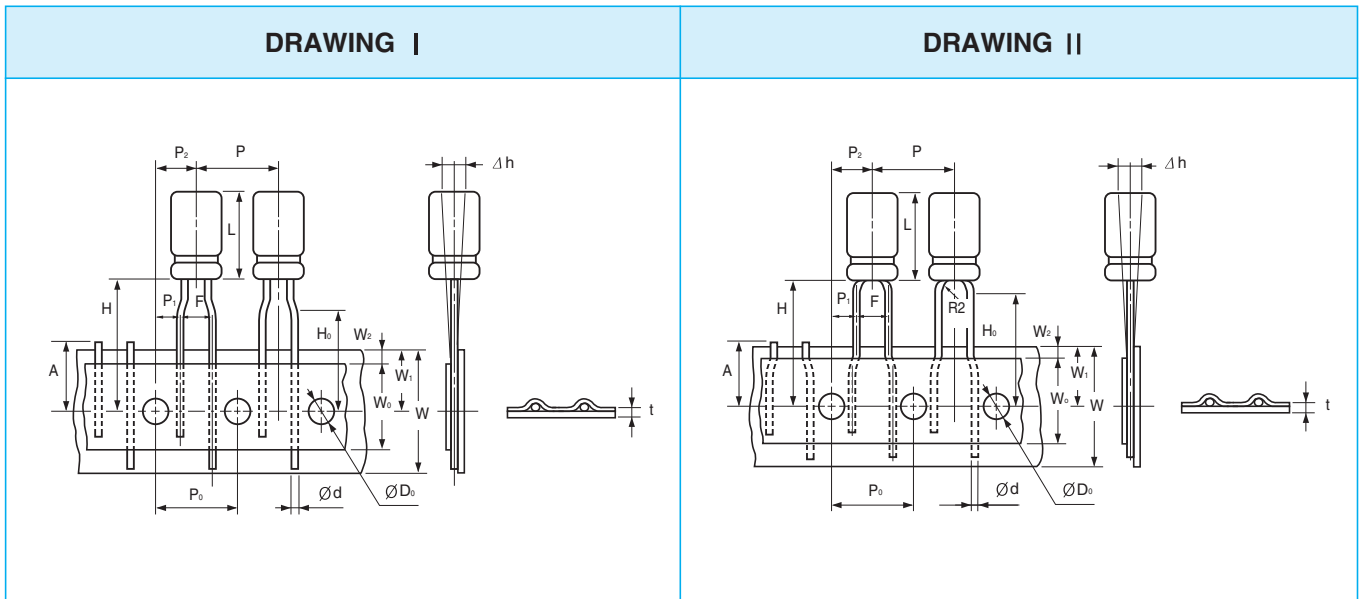


TAPING

● Ammo



● Lead Taping Capacitors for Automatic Insertion



● DIMENSIONS

Unit : mm

| Applicable Drawing No. | | | II | | | III | | | I | | | | | | | |
|---------------------------|-----------------|--------------|------|------|------|------|------|------|-----------------------|------|-----|------|------|------|------|---------|
| Description | Symbol | Tolerance | Ø4 | Ø5 | | Ø6.3 | | Ø8 | Ø4 | | Ø5 | | Ø6.3 | | Ø8 | |
| Case Height | L | *Note | 5, 7 | 5 | 7~11 | | 5 | 7~11 | 5 | 5, 7 | 5 | 7~11 | 5 | 7~11 | 5 | 9, 11.5 |
| Lead Dia. | d | ±0.05 | 0.45 | 0.45 | 0.5 | | 0.45 | 0.5 | 0.45 | 0.45 | 0.5 | | 0.45 | 0.5 | 0.45 | 0.6 |
| Body Pitch | P | ±1.0 | 12.7 | | | 12.7 | 12.7 | | 12.7 | | | 12.7 | | 12.7 | 12.7 | |
| Feeding Hole Pitch | P ₀ | ±0.2 | 12.7 | | | 12.7 | 12.7 | | 12.7 | | | 12.7 | | 12.7 | 12.7 | |
| Feeding Hole Alignment | P ₁ | ±0.7 | 5.1 | | | 5.1 | 5.1 | | 3.85 | | | 3.85 | | 3.85 | 3.85 | |
| Feeding Hole Alignment | P ₂ | ±1.0 | 6.35 | | | 6.35 | 6.35 | | 6.35 | | | 6.35 | | 6.35 | 6.35 | |
| Lead Center Spacing | F | +0.6 -0.2 | 2.5 | | | 2.5 | 2.5 | | 5.0 | | | 5.0 | | 5.0 | 5.0 | |
| Body Inclination | Δh | ±2.0 | 0 | | | 0 | 0 | | 0 | | | 0 | | 0 | 0 | |
| Tape Width | W | ±0.5 | 18.0 | | | 18.0 | 18.0 | | 18.0 | | | 18.0 | | 18.0 | 18.0 | |
| Adhesive Tape Width | W ₀ | min. | 9.5 | | | 9.5 | 9.5 | | 9.5 | | | 9.5 | | 9.5 | 12.5 | |
| Feeding Hole Alignment | W ₁ | ±0.5 | 9.0 | | | 9.0 | 9.0 | | 9.0 | | | 9.0 | | 9.0 | 9.0 | |
| Adhesive Tape Margin | W ₂ | max. | 2.0 | | | 2.0 | 2.0 | | 2.0 | | | 2.0 | | 2.0 | 2.0 | |
| Length from Seating Plane | H | ±0.5 | 18.0 | | | 17.5 | 18.5 | | 18.5 (5, 7mmL = 17.5) | | | 17.5 | | 20.0 | | |
| Lead Clinch Height | H ₀ | ±0.5 | 17.0 | | | — | — | | 16.5 | | | 16.5 | | 16.5 | | |
| Feeding Hole Dia. | ØD ₀ | ±0.2 | 4.0 | | | 4.0 | 4.0 | | 4.0 | | | 4.0 | | 4.0 | | |
| Total Tape Thickness | t | ±0.2 | 0.6 | | | 0.6 | 0.6 | | 0.6 | | | 0.6 | | 0.6 | | |
| Cut Lead Height | A | max. | 11.0 | | | 11.0 | 11.0 | | 11.0 | | | 11.0 | | 11.0 | | |
| Taping Code | Ammo | ⊕ leader | PC | | | PC | PE | | PA | | | PA | | PG | | |

* Note : Refer to the drawing of each series for tolerance.

MINIATURE TYPES