

#### FEATURES

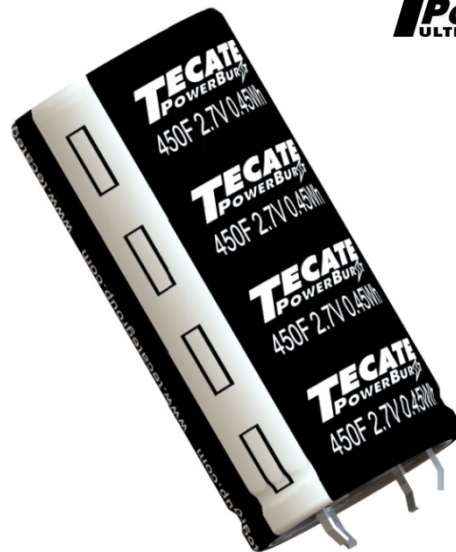
- Extremely low ESR
- 10 year service life
- RoHS compliant
- Halogen Free

#### APPLICATIONS

- Peak power handling
- Industrial automation
- UPS/voltage hold up

#### PART NUMBERING

Part Number Example: TPLH-400/35X66F				
TPLH	-	400	/	35X66 F
Type		Capacitance Code (F)	Size (D X L)	RoHS Compliant



#### SPECIFICATIONS

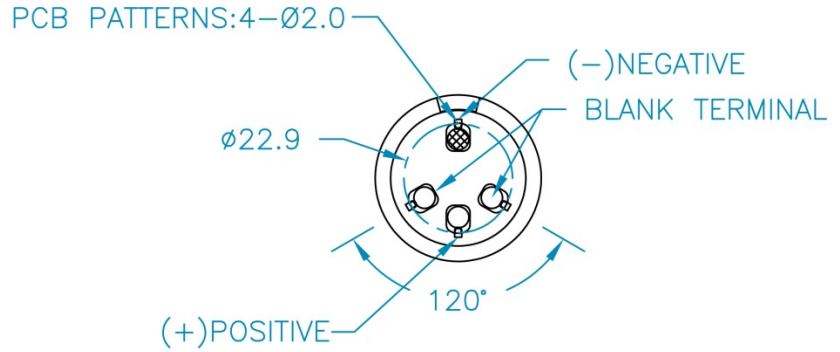
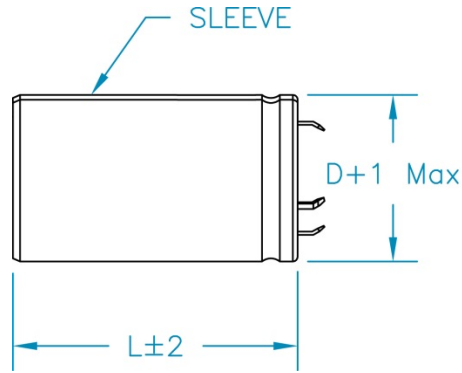
Item	Performance		
Operating temperature	-40 ~ +65°C		
Storage temperature	-40 ~ +70°C		
Rated voltage	2.7 VDC		
Surge voltage	2.85 VDC		
Capacitance range	350 ~ 450F		
Capacitance tolerance	-0/+20%		
Characteristics at low temperature	Capacitance Change	Within ±5% of initial measured value at +25°C(-40 ~ +65°C)	
	Internal resistance	Within ±50% of initial measured value at +25°C(at -40°C)	
Lifetime at 25°C	10 years	Capacitance change	±30% of initial specified value
		Internal resistance	Within 2 times of initial specified value
Cycle life at 25°C	500,000 cycles between Vr and ½ Vr @ 25 °C	Capacitance change	±30% of initial specified value
		Internal resistance	Within 2 times of initial specified value
Endurance	After 1500 hours, application of 2.7V DC at 65°C, the capacitor shall meet the following limits:		
	Capacitance change	±30% of initial specified value	
	Internal resistance	Within 2 times of initial specified value	
Storage life	2 years at 25°C		

#### CONFIDENTIAL

PROPRIETARY INFORMATION OF TECATE GROUP  
NOT TO BE COPIED OR DISCLOSED EXCEPT BY WRITTEN PERMISSION

### DIMENSIONS

Units = mm



### STANDARD PRODUCTS

Part Numbers	CAP. (F)	ESR/DC (mΩ)	ESR/AC 1kHz (mΩ)	Leakage Current (mA) (72 hrs @ 25C)	Size (mm)		Max Current 1s to 1/2V (A)	Weight/unit (grams max)
					D	L		
TPLH-350/35X61F	350	4.0	3.0	1	35	61	196	75
TPLH-400/35X66F	400	3.6	2.8	1	35	66	221	83
TPLH-450/35X71F	450	3.6	2.8	1	35	71	231	91

CONFIDENTIAL

PROPRIETARY INFORMATION OF TECATE GROUP  
NOT TO BE COPIED OR DISCLOSED EXCEPT BY WRITTEN PERMISSION

7520 Mission Valley Road • San Diego, CA 92108-4400 • USA • Tel: 619.398.9700 • Fax: 619.398.9777 • [www.tecategroup.com](http://www.tecategroup.com)

Specifications and dimensions are subject to change without notice.  
Please confirm technical specifications with Tecate Group before purchasing.

2015/04/10 Rev.00  
Page 2 of 2