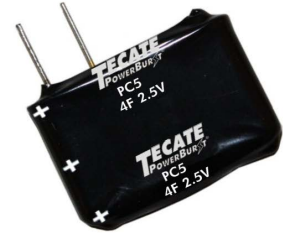


FEATURES

- Replaces the Maxwell PC5
- 10-year life capability
- Hermetically sealed, stainless steel construction
- Low-profile prismatic design
- Higher energy vs. electrolytic
- Higher power vs. batteries
- RoHS compliant



APPLICATIONS

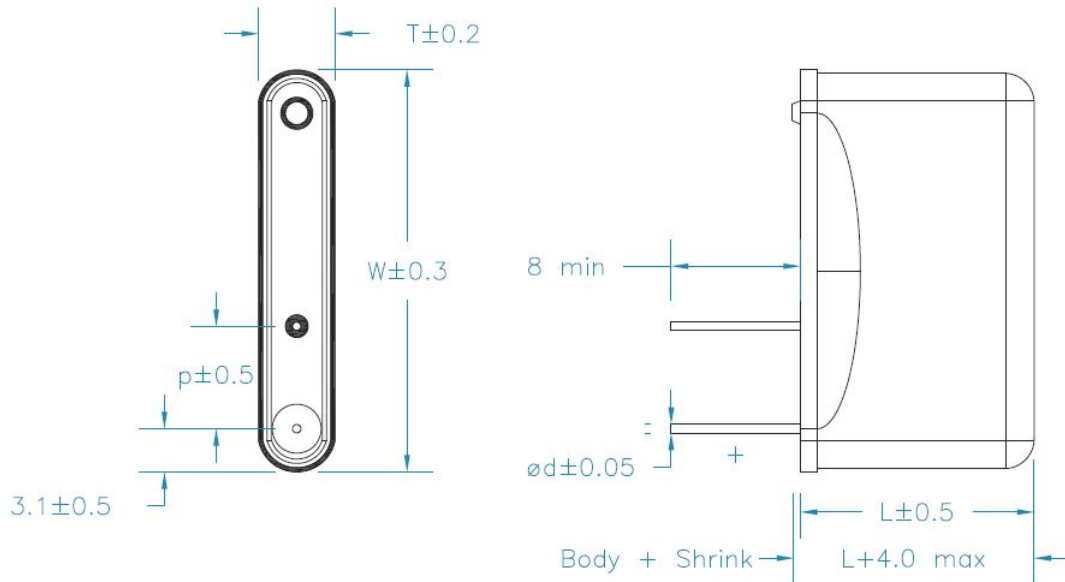
- Automatic meter readers (AMR)
- Backup power for last gasp and soft shutdown
- Wireless transmissions
- Handheld devices: commercial and military

GENERAL SPECIFICATIONS

Item	Performance
Operating temperature	-40°C to +70°C
Storage temperature	-40°C to +85°C
Capacitance	4F
Capacitance tolerance	±20%
Rated voltage	2.5V
Endurance (At rated voltage & max. operating temp)	After 1000 hours: Capacitance change: Within ±20% of initial measured value Internal resistance: Within 2 times of initial specified value
Load life (At rated voltage & 25°C)	After 10 years: Capacitance change: Within ±20% of initial measured value Internal resistance: Within 2 times of initial specified value
Cycle life (From rated voltage to 1/2 rated voltage at 25°C)	After 500,000 cycles: Capacitance change: Within ±20% of initial measured value Internal resistance: Within 2 times of initial specified value

DIMMENSIONS (mm)

Units = mm



STANDARD PRODUCTS

Part Number	Cap. (F)	ESR DC (mΩ)	ESR AC (mΩ) (1 KHz)	Leakage Current (mA) (72 hrs @ 25C)	Dimmensions (mm)					Weight/Unit (grams)
					L	W	T	d	LS	
PC5	4	500	362	0.02	14	23.6	4.8	0.5	5.1	4