

Series AKS- 85°C 5.000h

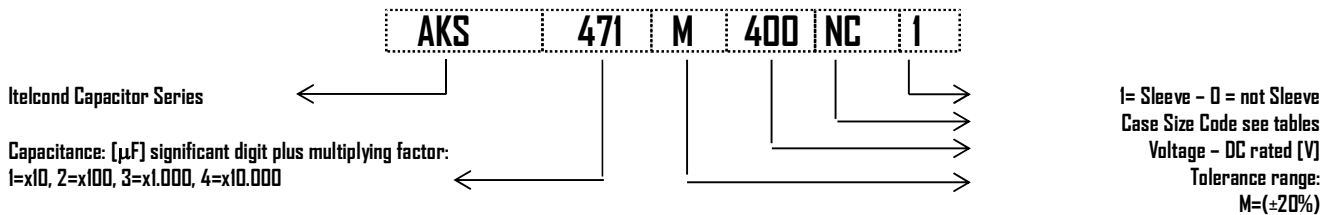
Capacitors PCB type –DIN style Solder Pins

- AKS 4 pins – 5 pins
- Capacitance Tolerance: -20 + 20% – standard (M)
- Climatic category: 40/85/56
- Case: 35x40 – 45x100
- Temperature – 40°C + 85°C

Mechanical Outlines

- Case: aluminium made
- Terminals: solder pin
- Sealing: hermetic on Rubber Bakelite cover
- Pressure Release Vent: onto aluminium case
- Insulated bottom
- Sleeve: self-extinguishing thermo shrinkable
- Size: see enclosed drawings
- External Material UL94-V0

Ordering Code: Example



Ripple Current

The allowable values of ripple current in Ampères, are related to the temperature and frequency by following equation:

$$I_{\text{Ripple}} = K_t \cdot K_f \cdot I_{\text{Ripple@85C}}$$

Where:

- $I_{\text{Ripple@85°C}}$ is the limit given by tables, @ 85°C/100HZ
- K_t is the Temperature Correlation Factor
- K_f is the Frequency Correlation Factor

Note .Superimposed alternating voltage summed to DC volage must not exceed rated voltage, rated ripple current must not be exceeded and no reverse polarity is allowed

°C	40	55	65	75	85
K_t	2.30	1.90	1.70	1.40	1.00

Table 1-Kt Values

Vn/Hz	K_f	
	V<50	V>50
50	0.90	0.88
100	1.00	1.00
300	1.14	1.20
400	1.18	1.25
500	1.20	1.35
>1000	1.25	1.40

Table 2-Kf Values

Expected Lifetime End of Life Criteria

During useful life typical electrical parameters of electrolytic capacitor are subject to change.

End of Life criteria, when rated temperature, voltage and ripple are applied, are:

$$\frac{\Delta C}{C_{t0}} \leq 30\% \quad \text{Equation 1}$$

$$ESR \leq 3 \cdot ESR_0 \quad \text{Equation 2}$$

$$I_r \leq I_{rt0} \quad \text{Equation 3}$$

where t_0 is the initial value

Voltage Endurance Test Requirements

Voltage Endurance Test are one of the basys for Expected Lifetime Curves.

End of Life criteria, when rated temperature, and voltage are applied for 2'000hrs, are

$$\frac{\Delta C}{C_{t0}} \leq 10\% \quad \text{Equation 4}$$

$$ESR \leq 1,3 \cdot ESR_0 \quad \text{Equation 5}$$

$$I_r \leq I_{rt0} \quad \text{Equation 6}$$

where t_0 is the initial value

Expected Lifetime Vs Temperature and Ripple Current

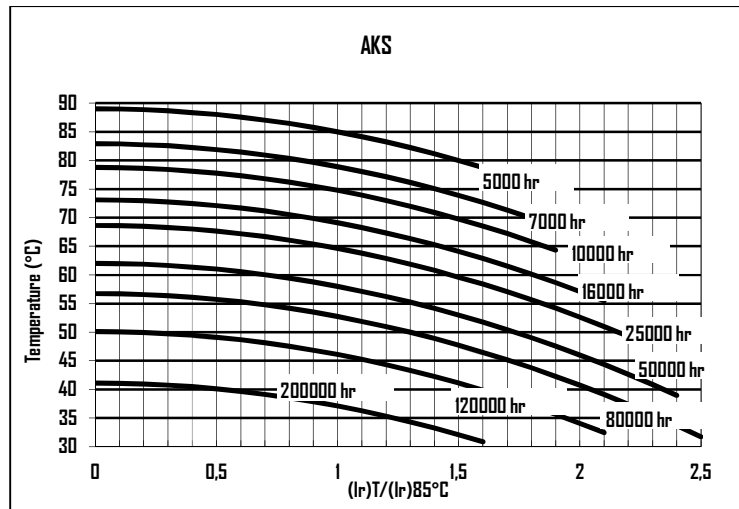


Table 3

Leakage Current

After the rated voltage has been applied to the capacitor for 5 minutes the leakage current must be within those limits.

Maximum limit	@25°C	$I_f \leq 0,004 \times C \times V$
Operating limit	@25°C	$I_f \leq 0,001 \times C \times V$

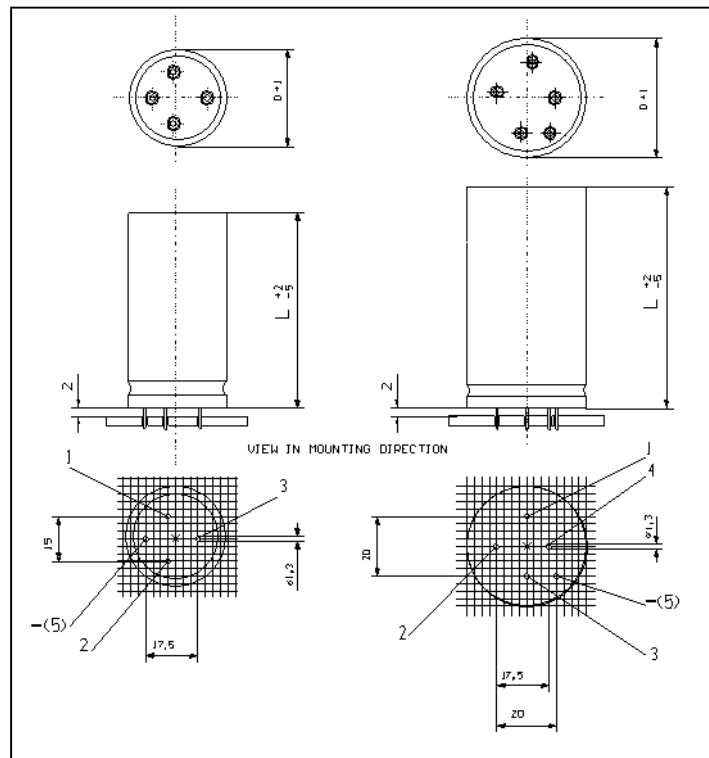
Where: I_f =leakage current [μA], C =capacitance [μF],
 V =rated voltage [V]

Surge Voltage

Working Voltage	40	50	63	75	100	160	200	250	350	400	450	500
Surge Voltage	46	58	73	86	115	185	230	290	385	440	495	525

	Capacitance	Case	Diam	Height	Tanδ	ESRmax typ		Zmax	Iripple @100Hz		Ordering Code
	[μF]@100Hz		[mm]	[mm]	[%]@100Hz	[mΩ]@100Hz	[mΩ]@10KHz	[A]@55°C	[A]@85°C		
40	15000	NC	35	50	0,34	29	23	22	13,7	7,2	AKS153M040NCI
	22000	PC	40	50	0,40	23	19	17	16,5	8,7	AKS223M040PCI
	33000	PE	40	75	0,46	18	14	13	22,5	11,8	AKS333M040PEI
	47000	PG	40	100	0,55	15	12	11	27,9	14,7	AKS473M040PGI
63	10000	NC	35	50	0,26	33	26	25	12,8	6,7	AKS103M063NCI
		PC	40	50	0,24	31	24	23	14,4	7,6	AKS103M063PCI
	15000	PE	40	75	0,29	25	20	18	19,1	10,1	AKS153M063PEI
	22000	PG	40	100	0,32	19	15	14	25,0	13,2	AKS223M063PGI
100	3300	NC	35	50	0,11	42	34	32	11,3	6,0	AKS332M100NCI
	4700	PC	40	50	0,13	35	28	26	13,4	7,1	AKS472M100PCI
	6800	PE	40	75	0,13	24	19	18	19,2	10,1	AKS682M100PEI
	10000	PG	40	100	0,13	17	13	12	26,5	13,9	AKS103M100PGI
200	1500	NC	35	50	0,09	76	61	57	8,4	4,4	AKS152M200NCI
	2200	PC	40	50	0,09	52	42	39	11,0	5,8	AKS222M200PCI
	2200	PE	40	75	0,09	52	42	39	13,1	6,9	AKS222M200PEI
	3300	PG	40	100	0,09	35	28	26	18,3	9,6	AKS332M200PGI
250	1000	NC	35	50	0,09	115	92	86	6,9	3,6	AKS101M250NCI
	1500	PC	40	50	0,09	76	61	57	9,1	4,8	AKS152M250PCI
	1500	PE	40	75	0,09	76	61	57	10,8	5,7	AKS152M250PEI
	2200	PG	40	100	0,09	52	42	39	14,9	7,9	AKS222M250PGI
400	330	NB	35	40	0,10	386	309	290	3,6	1,9	AKS331M400NBI
	470	NC	35	50	0,10	271	217	203	4,7	2,5	AKS471M400NCI
	680	NN	35	60	0,10	187	150	141	6,2	3,3	AKS681M400NNI
		NE	35	75	0,10	187	150	141	6,8	3,6	AKS681M400NEI
		PC	40	50	0,10	187	150	141	6,2	3,2	AKS681M400PCI
		PN	40	60	0,10	187	150	141	6,7	3,5	AKS681M400PNI
	1000	NN	35	60	0,10	127	102	96	7,5	3,9	AKS102M400NNI
		NE	35	75	0,10	127	102	96	8,3	4,4	AKS102M400NEI
		PE	40	75	0,10	127	102	96	8,9	4,7	AKS102M400PEI
		PG	40	100	0,10	127	102	96	10,1	5,3	AKS102M400PGI
	1200	PG	40	100	0,10	106	85	80	11,1	5,8	AKS122M400PGI
	1500	PE	40	75	0,10	85	68	64	10,9	5,7	AKS152M400PEI
QE		45	75	0,10	85	68	64	11,7	6,1	AKS152M400QEI	
450	220	NB	30	40	0,12	695	556	521	2,5	1,3	AKS221M450NBI
		NC	35	50	0,12	695	556	521	3,0	1,6	AKS221M450NCI
	330	NC	35	50	0,12	463	371	347	3,6	1,9	AKS331M450NCI
	470	NC	35	50	0,12	325	260	244	4,3	2,3	AKS471M450NCI
	680	PC	40	50	0,12	225	180	169	5,6	3,0	AKS681M450PCI
		NE	35	75	0,12	225	180	169	6,2	3,3	AKS681M450NEI
PE		40	75	0,12	225	180	169	6,7	3,5	AKS681M450PEI	

	Capacitance	Case	Diam	Height	Tanδ	ESRmax typ		Zmax	Iripple @100Hz		Ordering Code
	[μF]@100Hz		[mm]	[mm]	[%]@100Hz	[mΩ]@100Hz	[mΩ]@10KHz	[A]@55°C	[A]@85°C		
	1000	NE	35	75	0,12	153	122	115	7,5	4,0	AKS102M450NE1
		PN	40	60	0,12	153	122	115	7,4	3,9	AKS102M450PNI
450	1000	PE	40	75	0,12	153	122	115	8,1	4,3	AKS102M450PE1
		PG	40	100	0,12	153	122	115	9,2	4,9	AKS102M450PGI
	1500	PG	40	100	0,12	102	82	76	11,3	6,0	AKS152M450PGI

Dimension, Quantity and Weight for box


Case		Connections			Packaging	
Code	DxL	PIN		Pcs/Box	Weight/box	
		AKS	Lenght			
NB	35x40	4	6.3	100	6-8	
NC	35x50	4	6.3	100	6-8	
NN	35x60	4	6.3	100	5-7	
NE	35x75	4	6.3	50	6-8	
PB	40x40	5	6.3	126	9-10	
PC	40x50	5	6.3	126	9-10	
PN	40x60	5	6.3	126	9-10	
PE	40x75	5	6.3	63	7-9	
PG	40x100	5	6.3	63	9-10	
QC	45x50	5	6.3	30	6-8	
QN	45x60	5	6.3	30	6-8	
QE	45x75	5	6.3	30	7-9	
QG	45x100	5	6.3	30	8-10	

All dimensions in mm, torque in Nm, weight in kg

